

### Approved Disinfectants

Please find a list of disinfectants suitable for VRmagic simulators on the second page.

## 1 Surfaces to be Cleaned

All surfaces of the simulator may be cleaned with mild cleaners and disinfected with the disinfectants listed on the second page of this document.

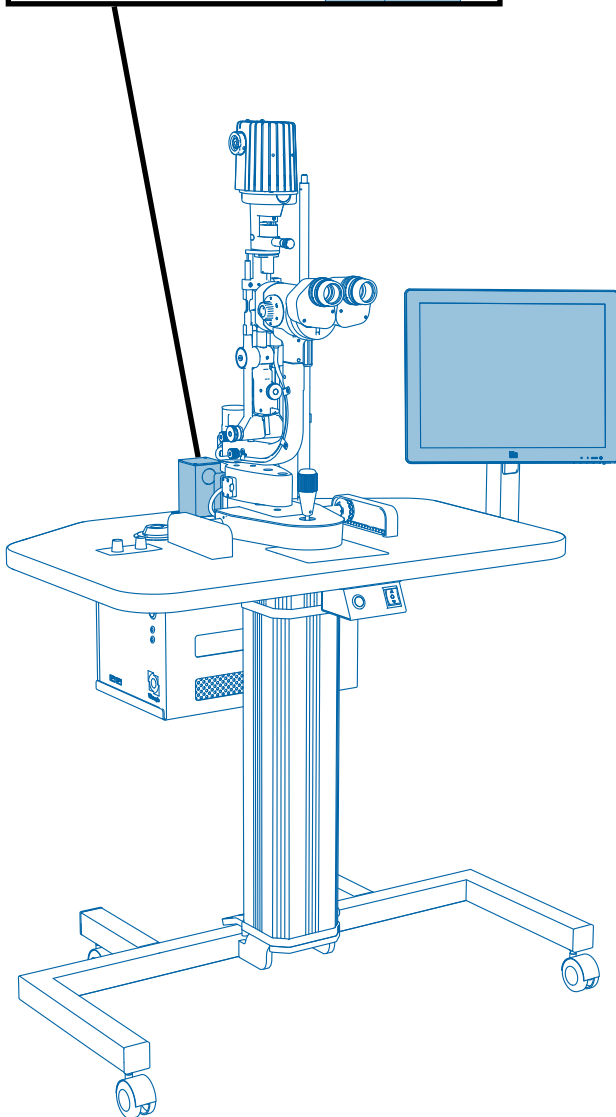
Please take special care not to scratch the surfaces of the optical tracking system and the touch screen (blue-colored areas in the image).


## 2 Cleaning Technique

- Use a soft, disposable wipe or cloth to clean and disinfect the surfaces.
- Do not wet, immerse, or directly spray the surfaces. The surfaces should only be slightly dampened.

## 3 Further Precautions

- Wash your hands before and after simulator usage and do not touch your face during simulator usage.
- For additional safety, it may be an option to wear disposable gloves during simulator usage.
- A disinfected touch pen may be used to operate the touch screen without direct contact.
- Create a laminated card or a cleaning list. After cleaning of the simulator, leave the card or the signed list on the simulator table to show the simulator was cleaned.



 Take special care not to scratch surfaces

### Approved Disinfectants

Name	Disinfectant	Composition (active agents)
Bacillol AF Tissues	Alcohol	Propan-1-ol 450 mg/g, Propan-2-ol 250 mg/g, Ethanol 47 mg/g
Bacillol 30 Foam	Alcohol	Ethanol 140 mg/g; Propan-2-ol 100 mg/g; Propan-1-ol 60 mg/g, N-Alkyl-Aminopropyl-Glycine 5 mg/g (CAS number 1397 34-65-9)
Clorox Commercial Solutions Hydrogen Peroxide Cleaner Disinfectant Wipes	H2O2	Hydrogen Peroxide 14 mg/g
Clorox Disinfecting Wipes	Chloride	n-Alkyl (C14, 60%; C16, 30%; C12, 5%; C18, 5%) Dimethyl Benzyl Ammonium Chloride 1.84 mg/g, n-Alkyl (C12, 68%; C14, 32%) Dimethyl Ethylbenzyl Ammonium Chloride 1.84 mg/g
Clorox Healthcare Bleach Germicidal Wipes	Chloride	Sodium Hypochlorite 5.5 mg/g [Available Chlorine...0.52%], [5200 PPM [Parts Per Million] Available Chlorine]
Lonza Disinfectant Wipes	Chloride	Octyl decyl dimethyl ammonium chloride 0.69 mg/g, Dioctyl dimethyl ammonium chloride 0.28 mg/g, Didecyl dimethyl ammonium chloride 0.42 mg/g, Alkyl (C14 50%, C12 40 %, C16 10 %) dimethyl benzyl ammonium chloride 9.3 mg/g
Lysol Brand Clean & Fresh Multi Surface Cleaner (20% cleaner solution to water ratio)	Chloride	Alkyl (50% C14, 40% C12, 10% C16) dimethyl benzyl ammonium chlorides 11.9 mg/g
mikrozyd AF wipes premium	Alcohol	Ethanol (94 %) 50 mg/g, Propan-1-ol 350 mg/g
Purell Professional Surface Disinfectant Wipes	Alcohol	Ethyl alcohol [(CAS: 64-17-5)] 200 mg/g
Rheosept WD plus Wipes	Chloride	Dialkyldimethylammoniumchloride 250 mg/g, Benzalkoniumchloride 250 mg/g, Galkyldimethyl(ethylbenzyl)ammoniumchloride 250 mg/g
Sani-Cloth Prime Germicidal Disposable Wipes	Chloride/ Alcohol	Didecyl Dimethyl Ammonium Chloride 6.1 mg/g, Ethyl Alcohol 273 mg/g, Isopropyl Alcohol 287 mg/g

### Do Not Use

The following substances and tools must not be used on the simulator, as they may cause damage.

- Isopropyl alcohol at concentration > 70%
- Methyl or ethyl alcohol at concentration > 35%
- Thinner or benzene
- Strong alkali lyes
- Strong solvents
- Acids
- Detergents with fluoride
- Detergents with ammonia at concentration > 1.6%
- Abrasive cleaners
- Detergents with abrasives
- Formula 409
- Steel wool
- Sponges with abrasives
- Steel blades
- Cloth with steel threads