

Monitor Your Process!

IS3 Industrial Surveillance with
Interchangeable Optics and Standard Cables



See What's Happening Live, in Full HD, and from Multiple Cameras

IS3 for Visual Process Monitoring

The IS3 system is the optimal solution to keep an eye on your production processes or company premises. The system consists of any number of IS3 cameras, which are connected to the VRmIS3 gateway. The gateway is connected to the factory network and lets you watch up to five video streams simultaneously.

Interchangeable C/CS/S-Mount Lenses

Optics plays a crucial role in image quality. The IS3 camera is therefore available with an S-mount or a C/CS-mount, so you can choose the optimal optics to suit your application.

Standard Ethernet Cable up to 100 m

Connect the VRmIS3 camera to the gateway using any standard or cable chain certified Ethernet cable of up to 100 m in length. The cable transmits the video data and supplies the camera via Power over Ethernet (PoE).

Small Camera, High-Resolution Streaming

With its compact profile of 29x29 mm the VRmIS3 camera fits into the smallest spaces. It delivers a high definition MJPEG color video via real-time transport protocol (RTP) or alternatively H.264 (8 and 10 bit intra frame). The video may be embedded into SCADA systems or used in many other applications.

Uncomplicated Commissioning

The PoE power supply via standard Ethernet cable offers you the greatest possible flexibility and enables an easy installation in the field. Due to its uncomplicated setup, the system is up and running in 10 minutes.



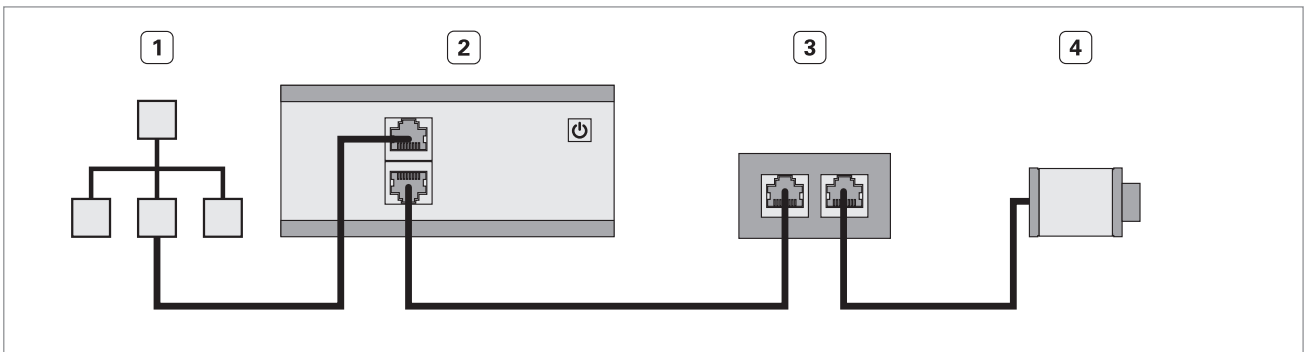
The IS3 IP Camera has a rigid aluminum body with a small profile of only 29x29 mm. The image shows the C/CS-mount variant.



« The IS3 gateway separates the camera network from the factory network.

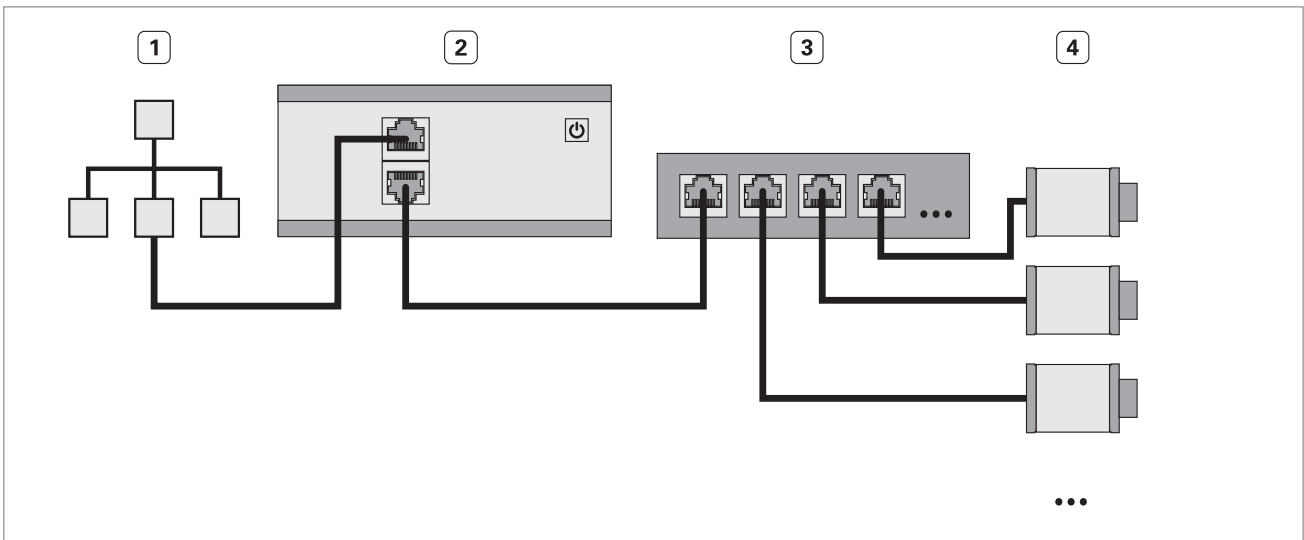
Industrial Surveillance with the VRmlS3 System

Configuration with One Camera

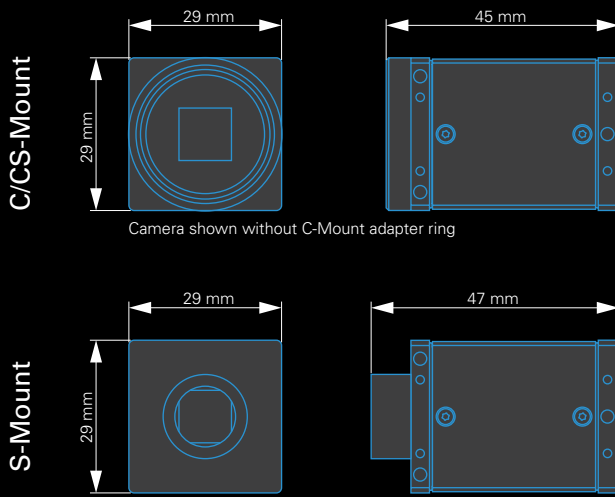


Factory network (1), IS3 gateway (2), PoE injector (3), IS3 camera (4)

Configuration with Several Cameras



Factory network (1), IS3 gateway (2), PoE switch (3), IS3 cameras (4)



Product Highlights

- Full HD video streaming in MJPEG format with 30 fps and adjustable bandwidth
- Use any standard or cable chain-certified shielded CAT5 Ethernet cable of up to 100 m length.
- Interchangeable optics: connect C/CS-Mount or S-Mount lenses.
- Connect any number of VRmIS3 cameras to one gateway.
- Camera power supply via PoE
- Small camera housing with 29x29 mm profile
- Comfortable camera configuration via web interface

Technical Data

IS3 Camera

Interfaces	
RJ45	100 Mbit Ethernet PoE, IEEE 802.3af, power consumption 1.7 W
Physical Characteristics	
Dimensions	CS/C-Mount variant* 29x29x45 mm/29x29x50 mm S-Mount variant 29x29x47 mm
Housing	Aluminum
Operating temp.	0...40°C
Storage temp.	-30...80°C

*CS-Mount with C-Mount adapter ring

Image Sensor	
Sensor/shutter type	CMOS/rolling shutter
Chromaticity	color
Sensor size	1/2.7"
Resolution	1920x1080 px
Pixel size	3x3 µm
Frame rate	30 Hz

Video Streaming	
Video formats	MJPEG, H.264 encoding (8 and 10 bit intra frame)
Transport protocol	RTP

IS3 Gateway

Interfaces	
RJ45	1 Gbit Ethernet (to factory)
RJ45	1 Gbit Ethernet (to cameras)

Power Supply	
DC input	6...36 V
AC input	40 W AC-DC adapter

Physical Characteristics	
Dimensions	120x100x55 mm
Housing	Aluminum
Operating temp.	0...50°C
Storage temp.	-20...60°C

Video Streaming	
Maximum number of simultaneous video streams	5

VRmagic Imaging GmbH
Turley-Str. 20
68167 Mannheim
Germany

Phone: +49 621 400 416-20
Fax: +49 621 400 416-29
info@vrmagic-imaging.com
www.vrmagic-imaging.com

© 11/2016
Technical specifications subject
to change without notice.
Errors excepted.

